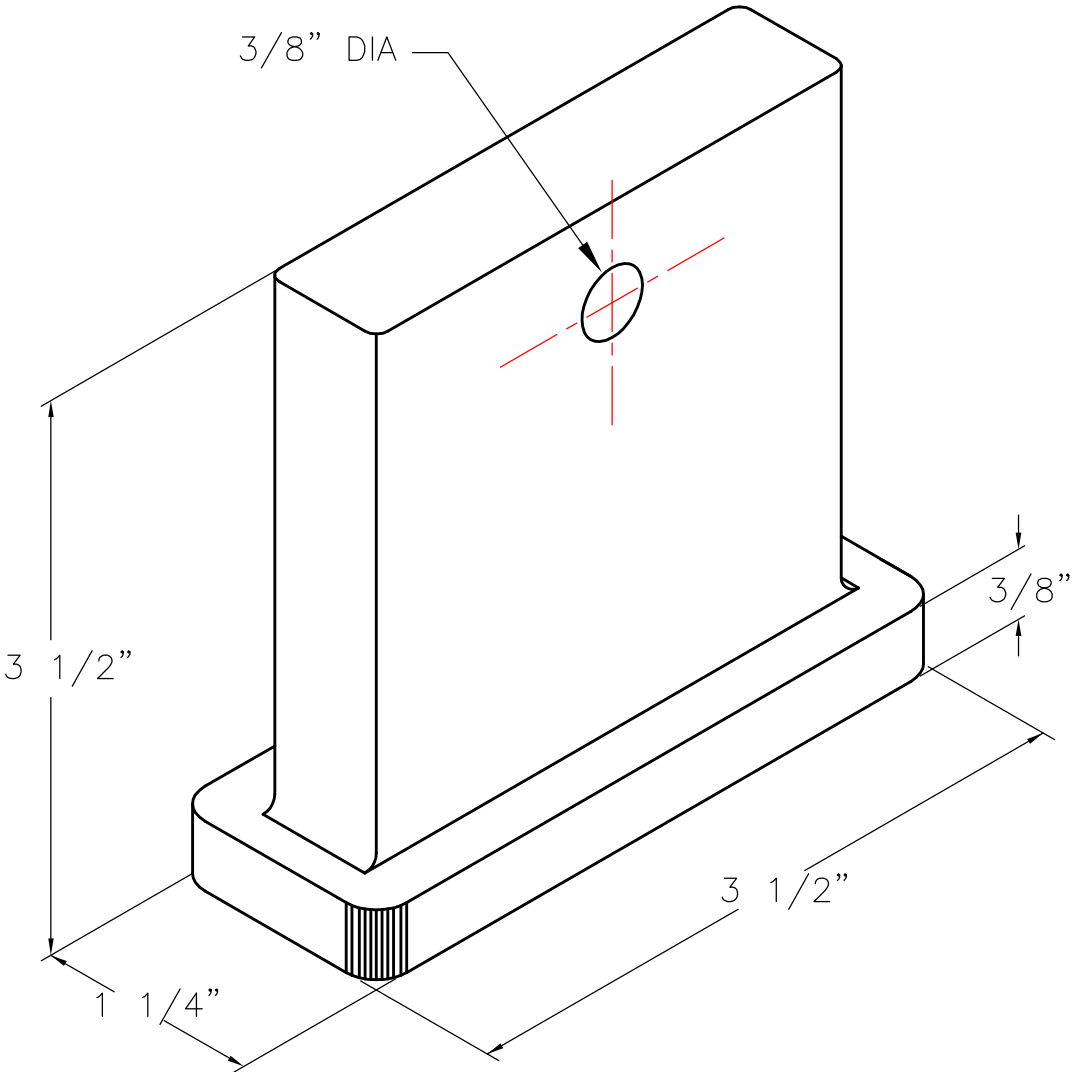


# GRID KEY



PATTERN NUMBER: CC-4078  
DRAWING NUMBER: CA-2133-D

H020

WEIGHT: 2.25#