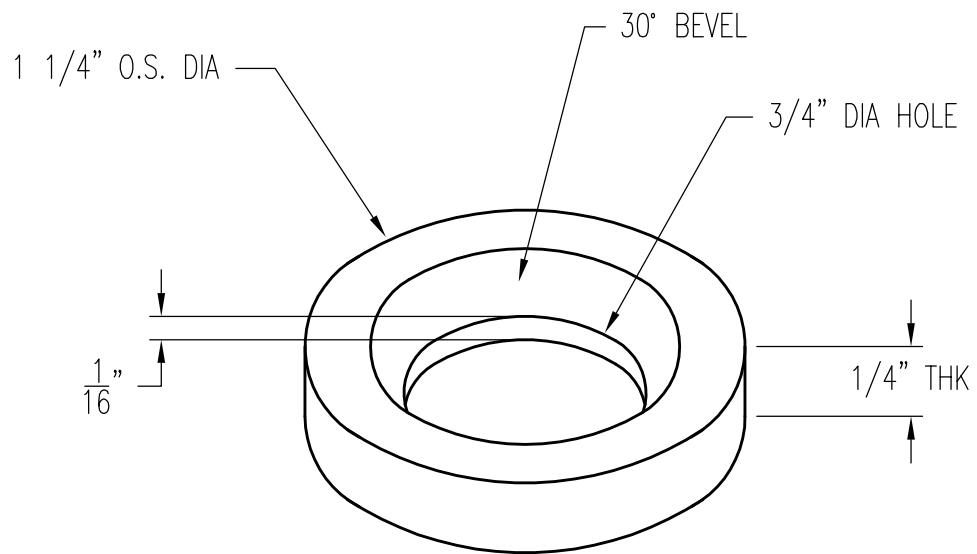


WASHER, 3/4"



PATTERN NUMBER: CC-103
DRAWING NUMBER: SK-0029-A

A008

MATERIAL, ALL: "HU"
WEIGHT: .05#