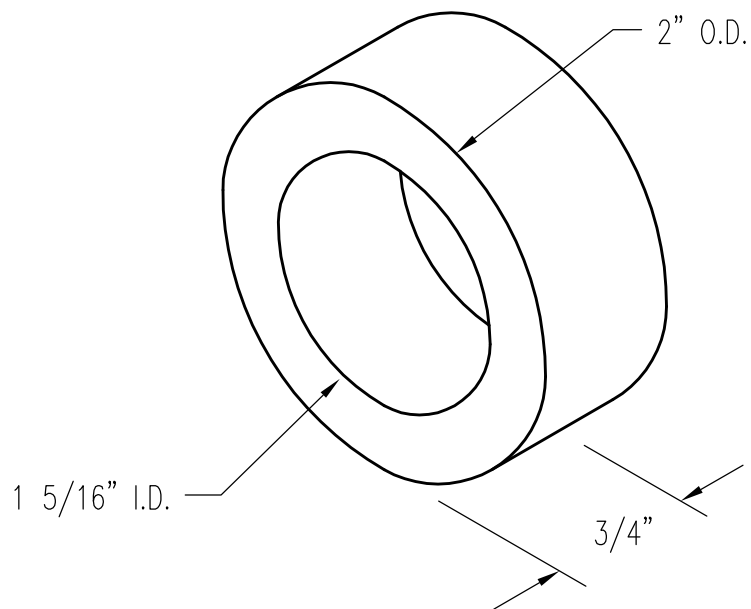


# WASHER 1 5/16"



PATTERN NUMBER: CC107  
DRAWING NUMBER: CA-1216-B

A015

WEIGHT: .4#