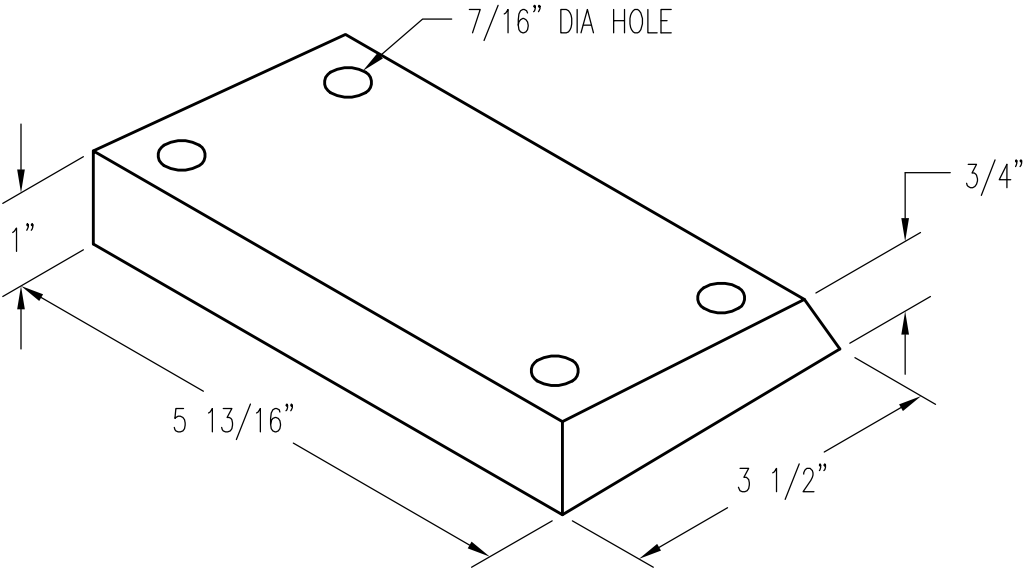


BOX CLAMP PLATE



PATTERN NUMBER: CC-108
DRAWING NUMBER: CA-2822-B

A019

WEIGHT: 4 1/4#