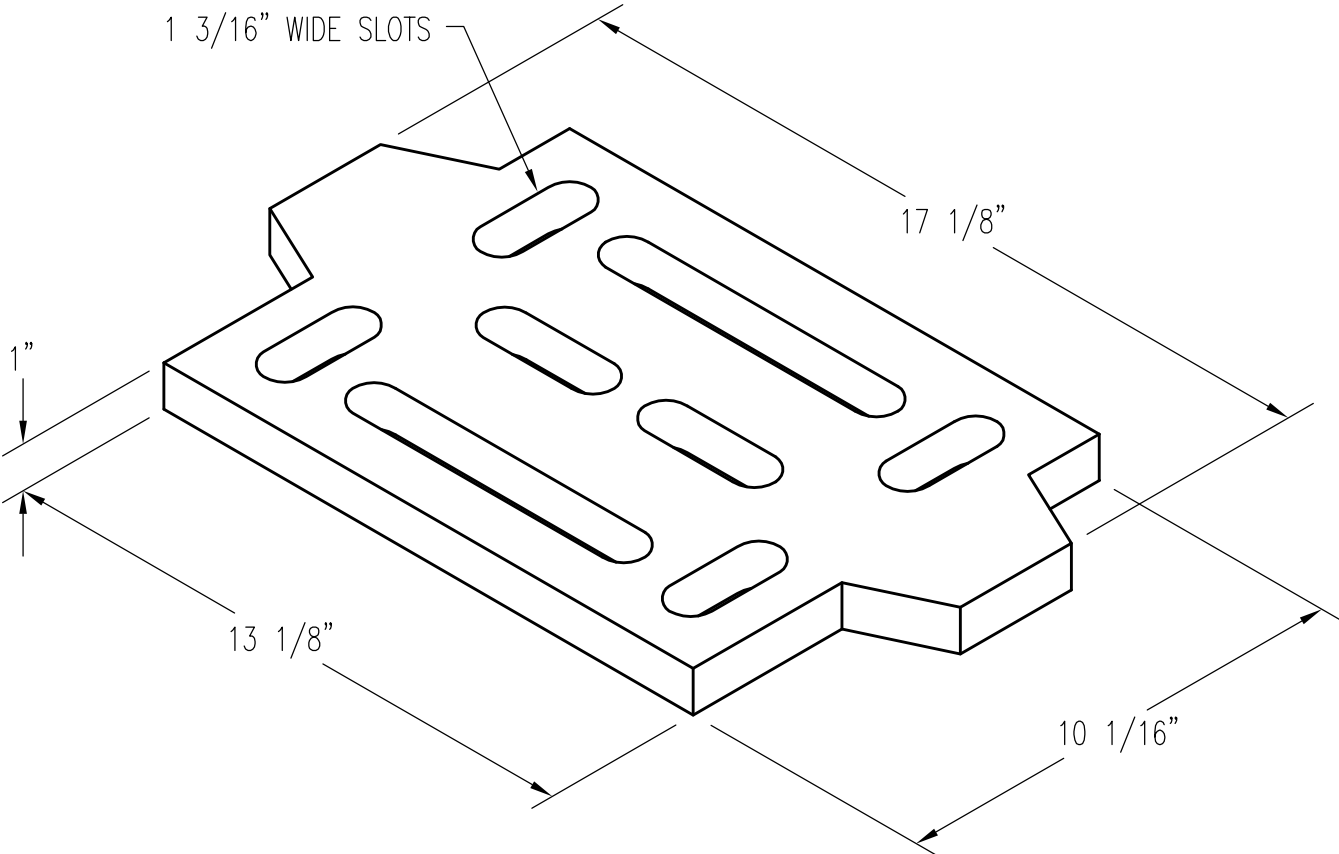


# SHELL MOLD MOUNTING PLATE



PATTERN NUMBER: CC-121  
DRAWING NUMBER: CA-3085-C

A026

WEIGHT: 28 1/2#