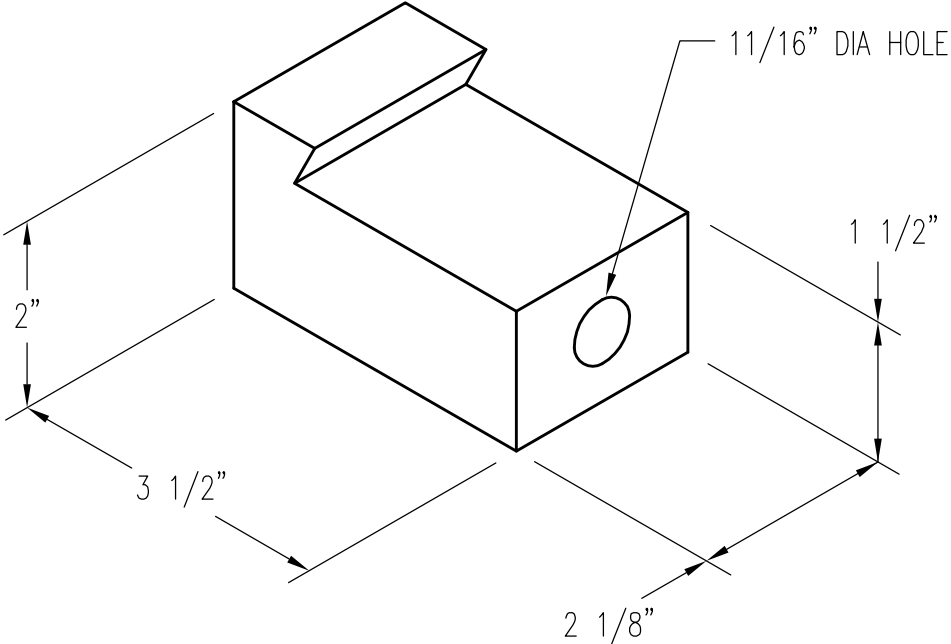


SHELL MOLD CLAMP



PATTERN NUMBER: CC-122
DRAWING NUMBER: PE-0182-B

A027

WEIGHT: 3 1/2#