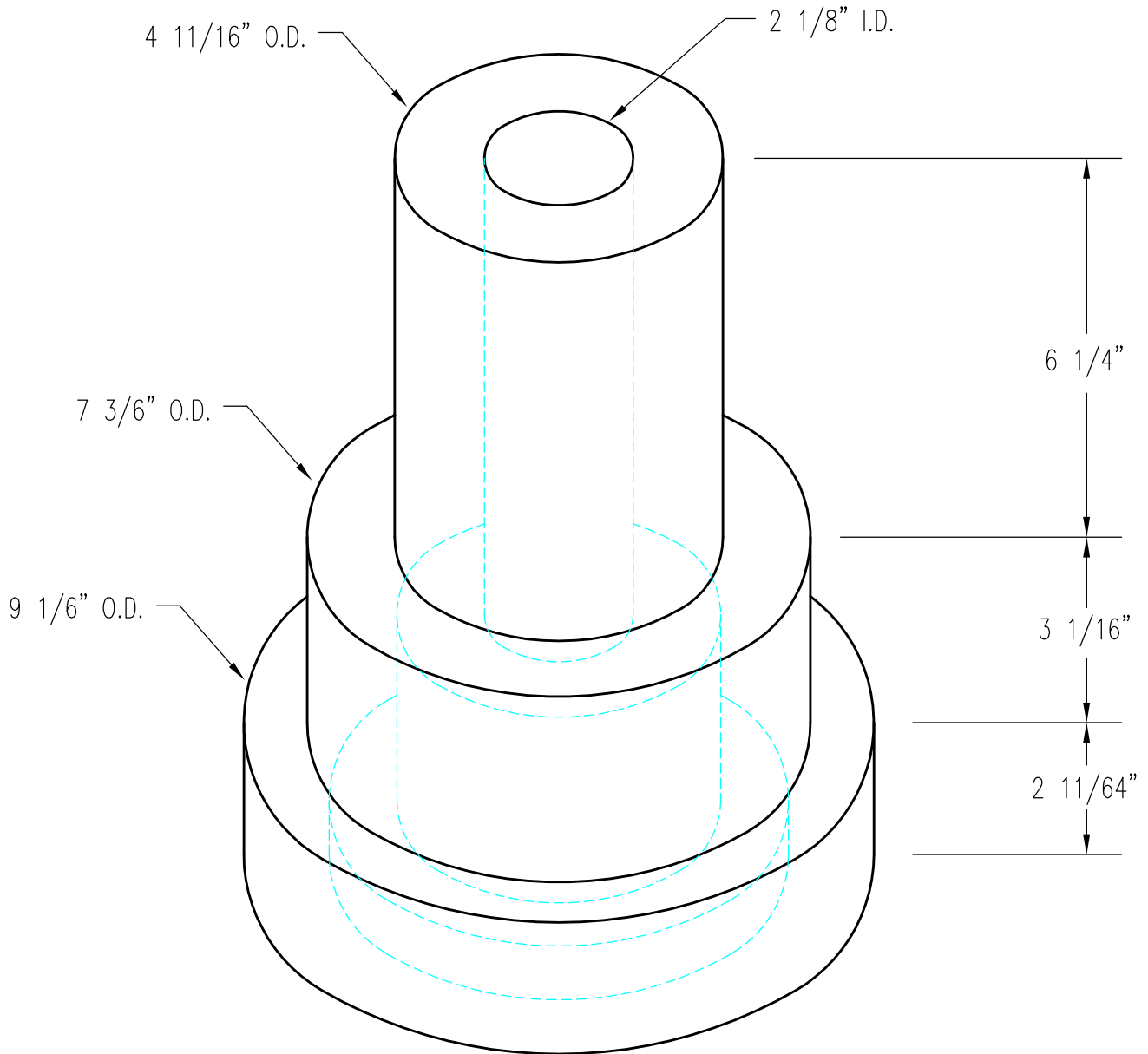


# LIFT POST BASE COLLAR



PATTERN NUMBER: CC-156  
DRAWING NUMBER: CA-3773-C

A030

WEIGHT:  $67 \frac{1}{4}$ #