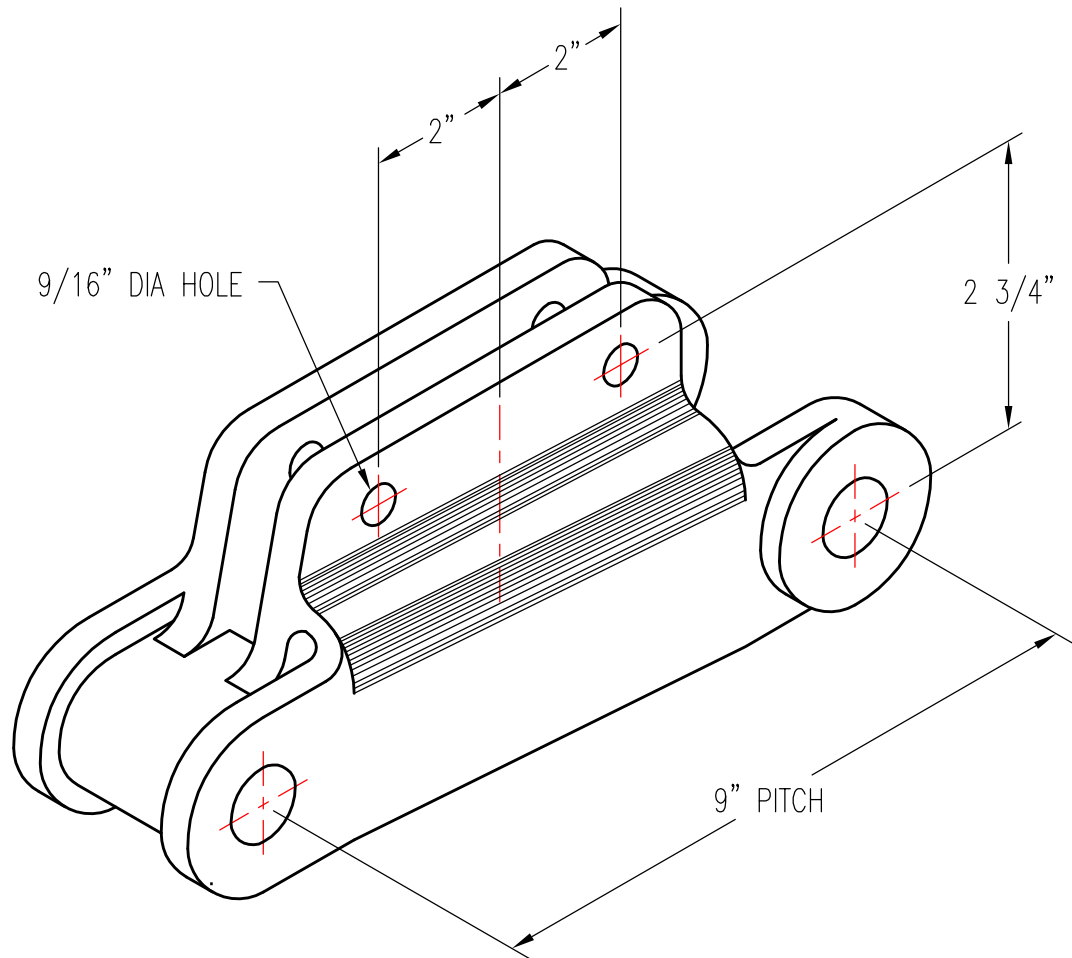


#988 CHAIN LINK W/ ATTACHMENT



PATTERN NUMBER: CC-5010
DRAWING NUMBER: CA-0098-B

K021

WEIGHT: 14.25#