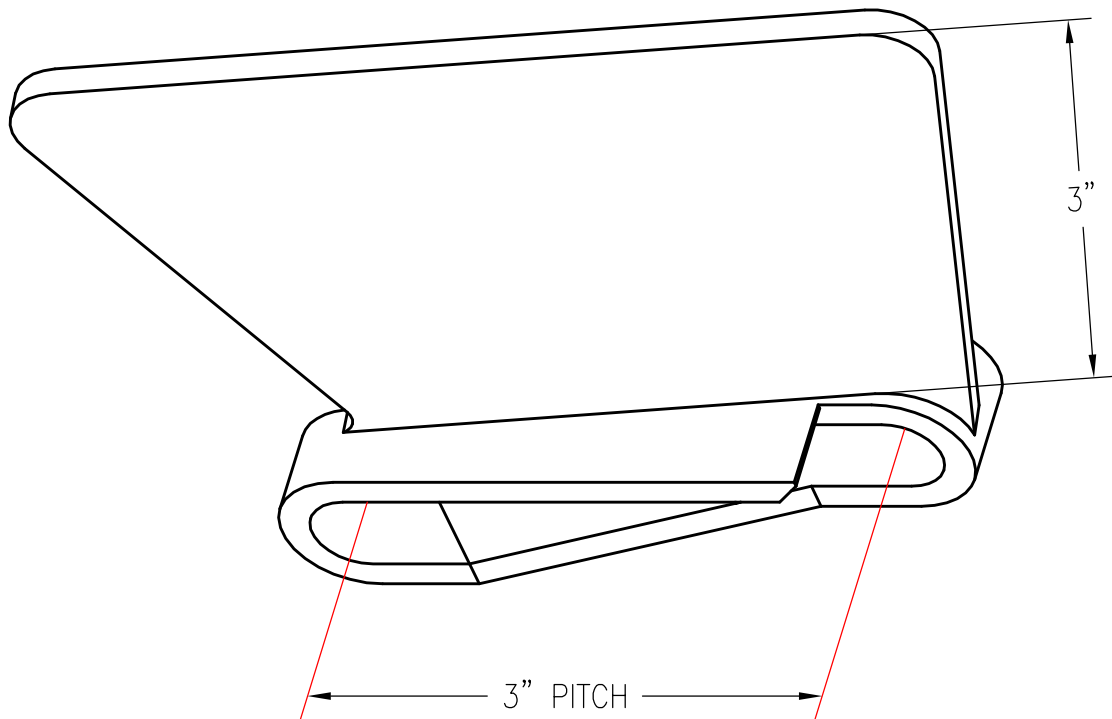


# 348 SIDE LINK 3" SLANT WALL, RIGHT HAND



PATTERN NUMBER: CC-6001  
DRAWING NUMBER: CA-2016-D

M002

WEIGHT: 1.06#