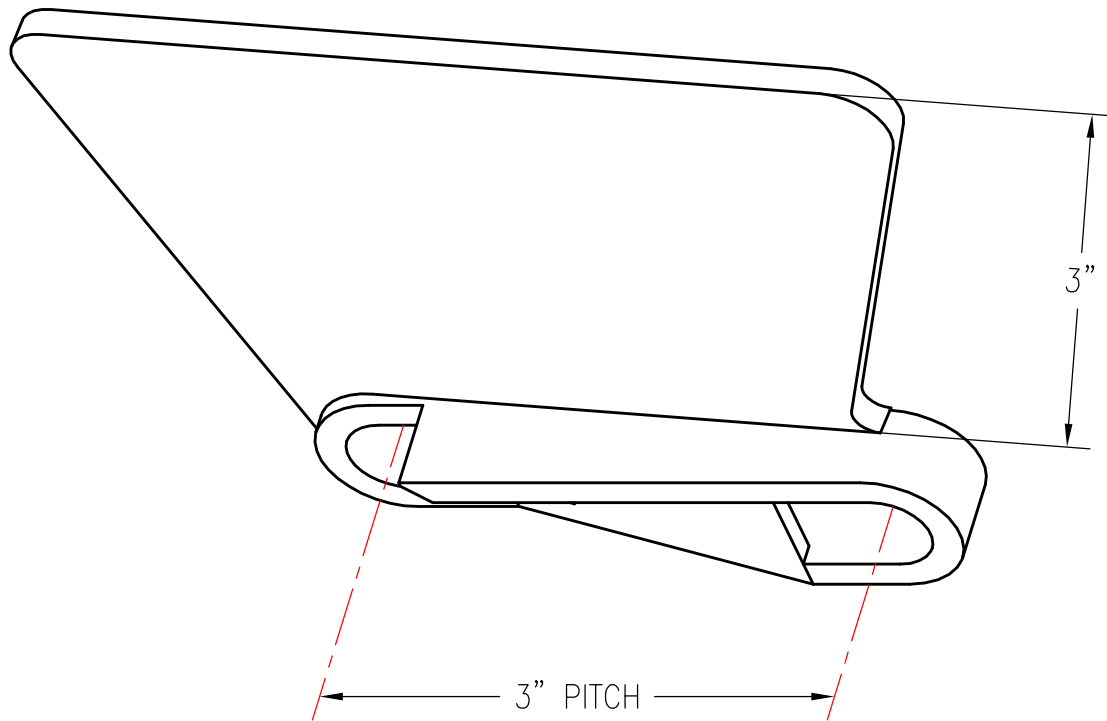


348 SIDE LINK 3" SLANT WALL, LEFT HAND



PATTERN NUMBER: CC-6002
DRAWING NUMBER: CA-2016-D

M003

WEIGHT: 1.06#