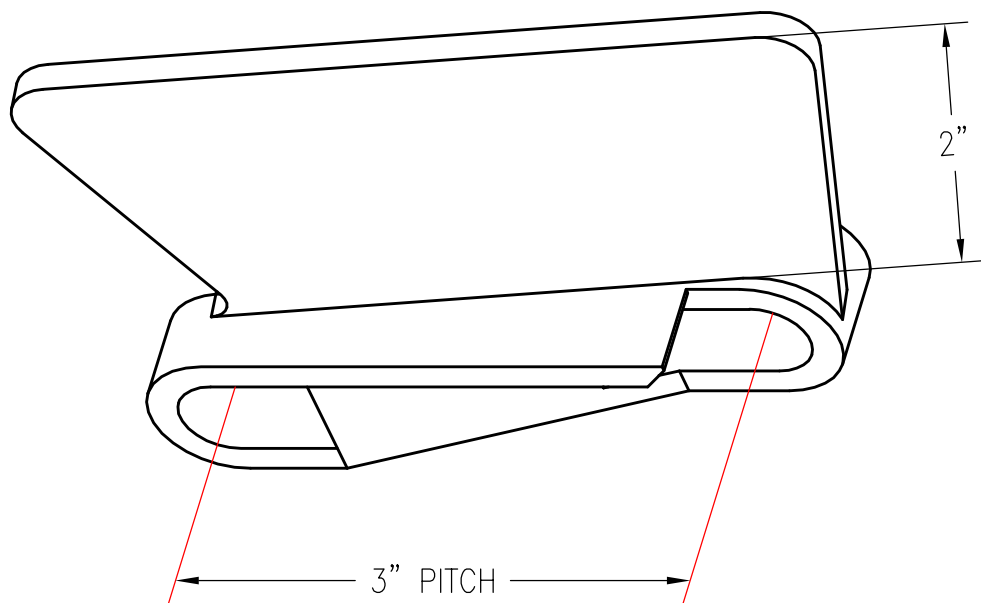


348 SIDE LINK 2" SLANT WALL, RIGHT HAND



PATTERN NUMBER: CC-6004
DRAWING NUMBER: CA-2016-D

M005

WEIGHT: .63#