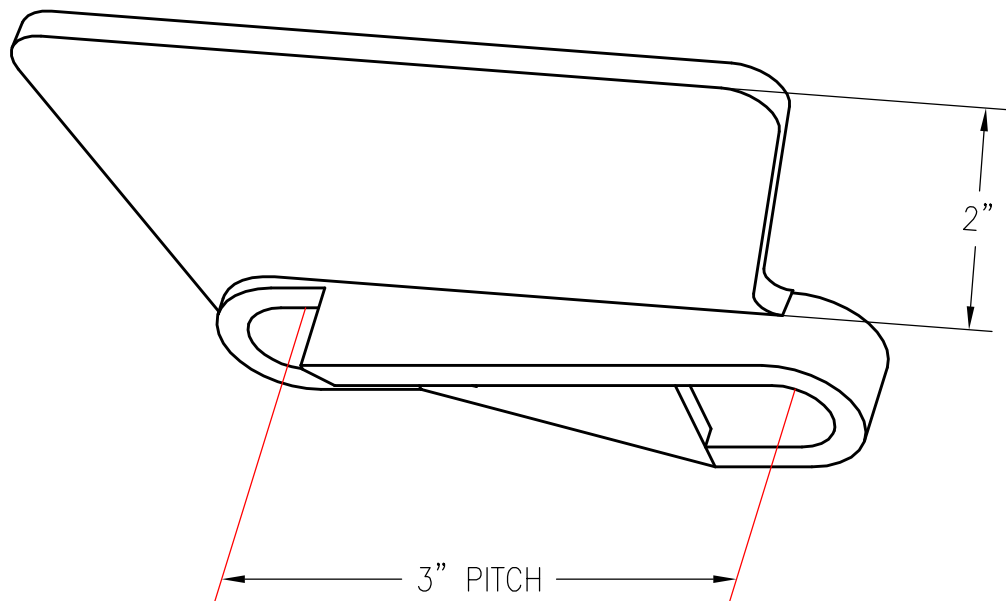


348 SIDE LINK 2" SLANT WALL, LEFT HAND



PATTERN NUMBER: CC-6005
DRAWING NUMBER: CA-2016-D

M006

WEIGHT: .63#