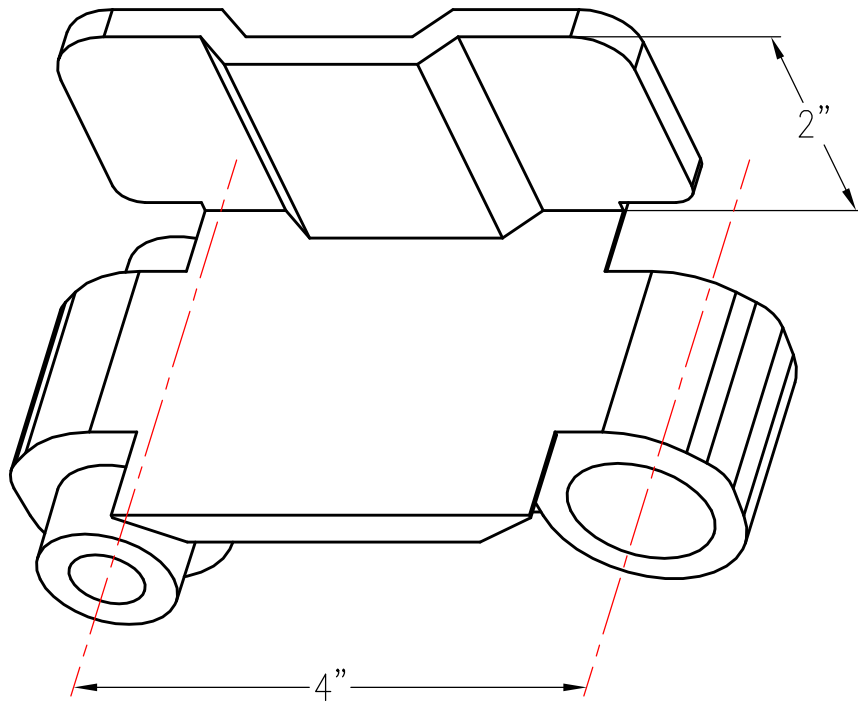


468 SIDE LINK 2" INTERLOCK, WIDE, RIGHT HAND



PATTERN NUMBER: CC-6025
DRAWING NUMBER: CA-2021-D

M022

WEIGHT: 3.25#