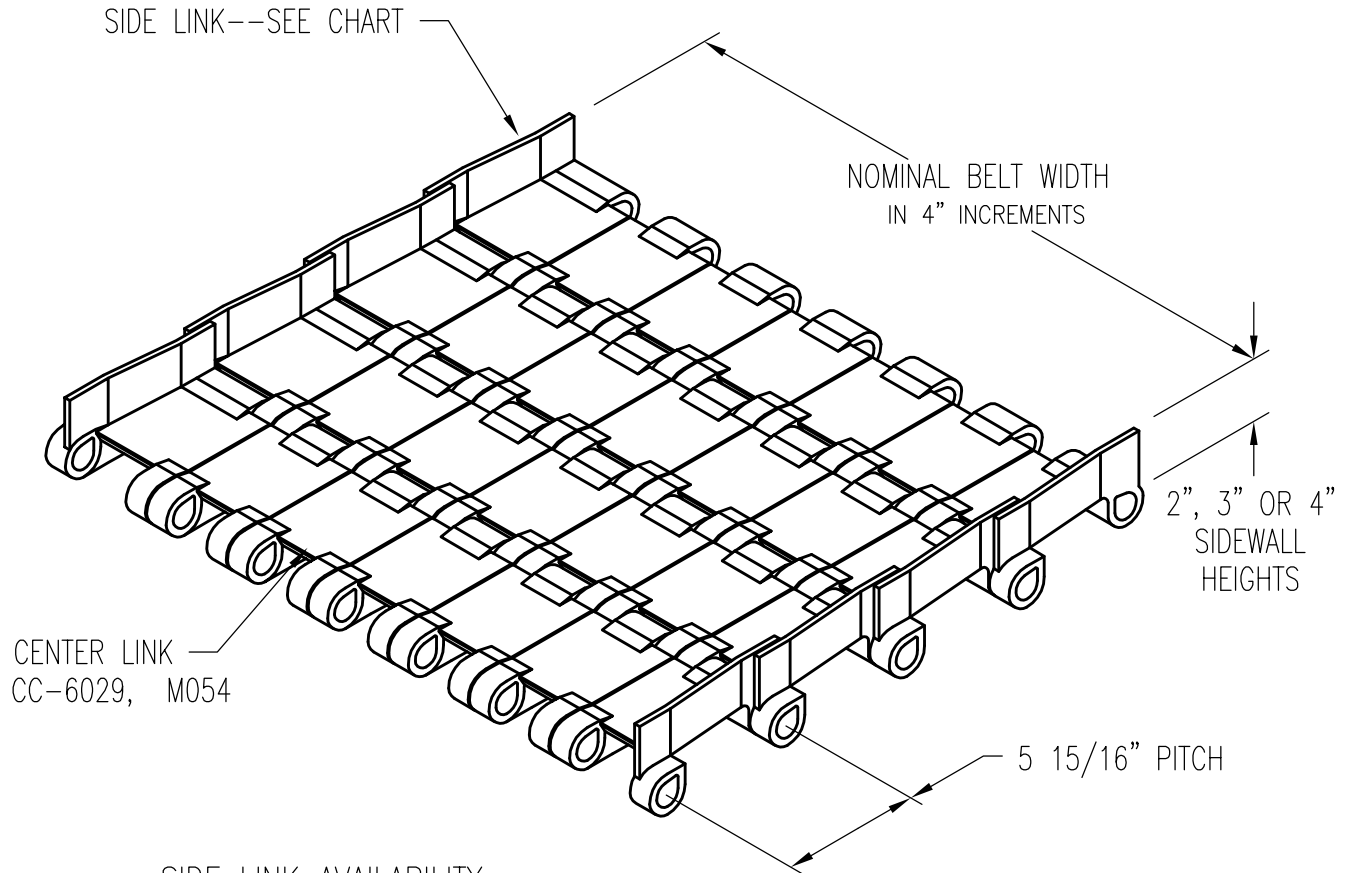


# 688 CLOSED FACED BELT ASSEMBLY



SIDE LINK AVAILABILITY:

| HT: | DESCRIPTION | PAGE |
|-----|-------------|------|
| 2"  | RIGHT HAND  | M055 |
| 2"  | LEFT HAND   | M056 |
| 3"  | RIGHT HAND  | M057 |
| 3"  | LEFT HAND   | M058 |
| 4"  | RIGHT HAND  | M059 |
| 4"  | LEFT HAND   | M060 |

OVERALL WIDTH  
 NOMINAL + 3 1/8" SIDEWALLS + EXPANSION GAP

EXPANSION GAP = 1/16" FOR EACH FOOT OF BELT WIDTH. IF OVER 6'-3", ADD AN ADDITIONAL 1/4".

PATTERN NUMBER: ASSEMBLY  
 DRAWING NUMBER: N/A

M061

WEIGHT: VARIES