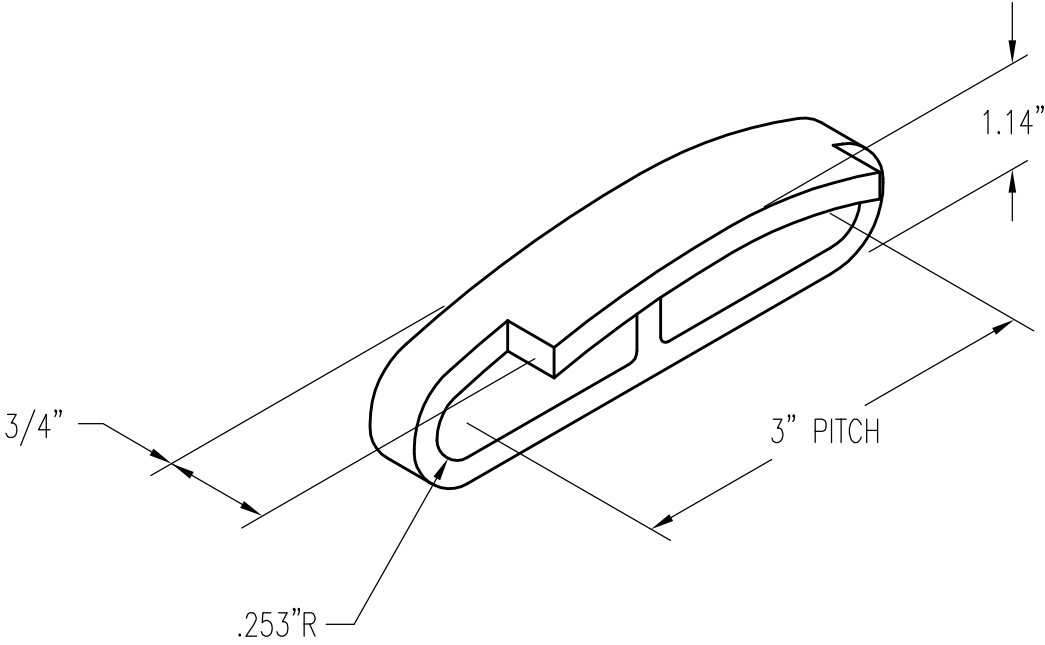


# 348 CENTER HALF-LINK HUMPBACK STYLE



PATTERN NUMBER: CC-6058-D  
DRAWING NUMBER: CA-2227-B

M071

WEIGHT: .23#