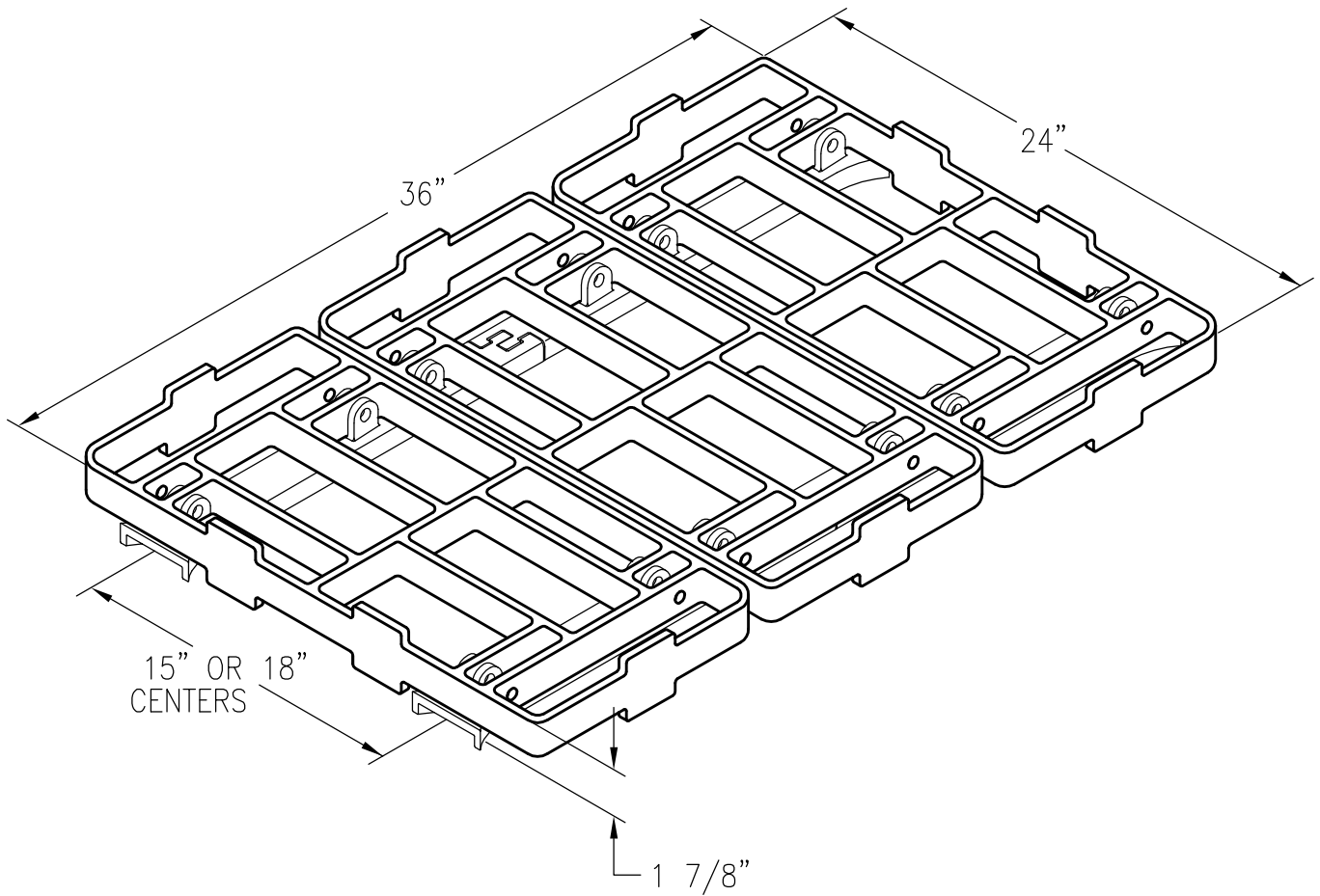


# 24" X 36" GVRT TRAY ASSEMBLY



ASSEMBLY CONSISTS OF:

QTY	DESCRIPTION	PART NO:	DWG. NO:
3	1.5" X 11.625" X 24" TRAY	CC-2002	CA-2008-C
4	1.375" END SHOE	CC-9000	CA-2010-C
12	SHOE PIN	C334	---
24	RETAINING WASHER	CC-102	SK-009-A
24	COTTER PIN	C121	---

OPTIONAL:

QTY	DESCRIPTION	PART NO:	DWG. NO:
4	2" END SHOE	CC-9002	CA-2010-C