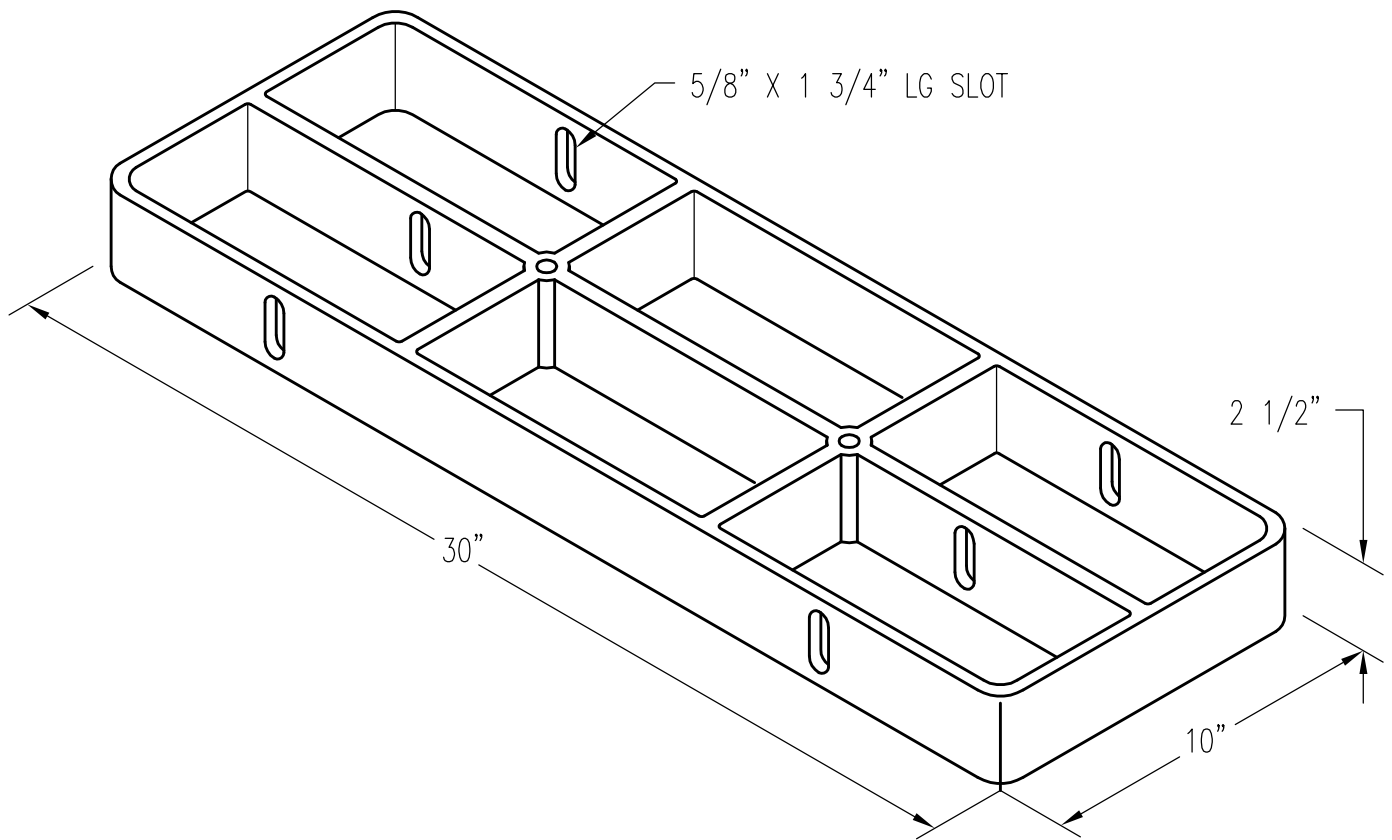


10" X 30" X 2 1/2" GVRT TRAY



PATTERN NUMBER: CC-2052
DRAWING NUMBER: CA-0295-A

D090

WEIGHT: 36#