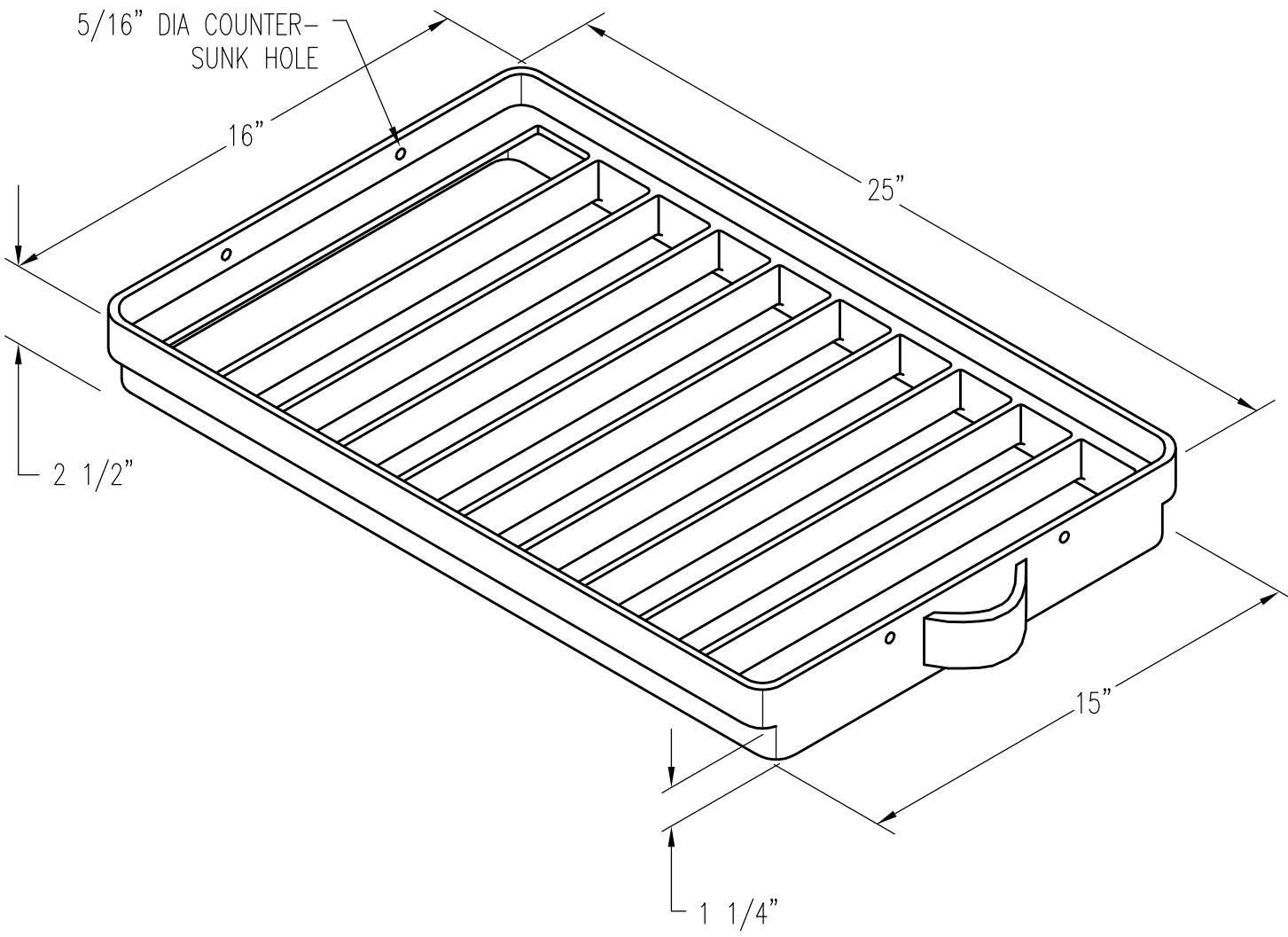


TRI CARB TRAY 16" X 25"



PATTERN NUMBER: CC-2056
DRAWING NUMBER: CA-3121-B

D094

WEIGHT: 32#