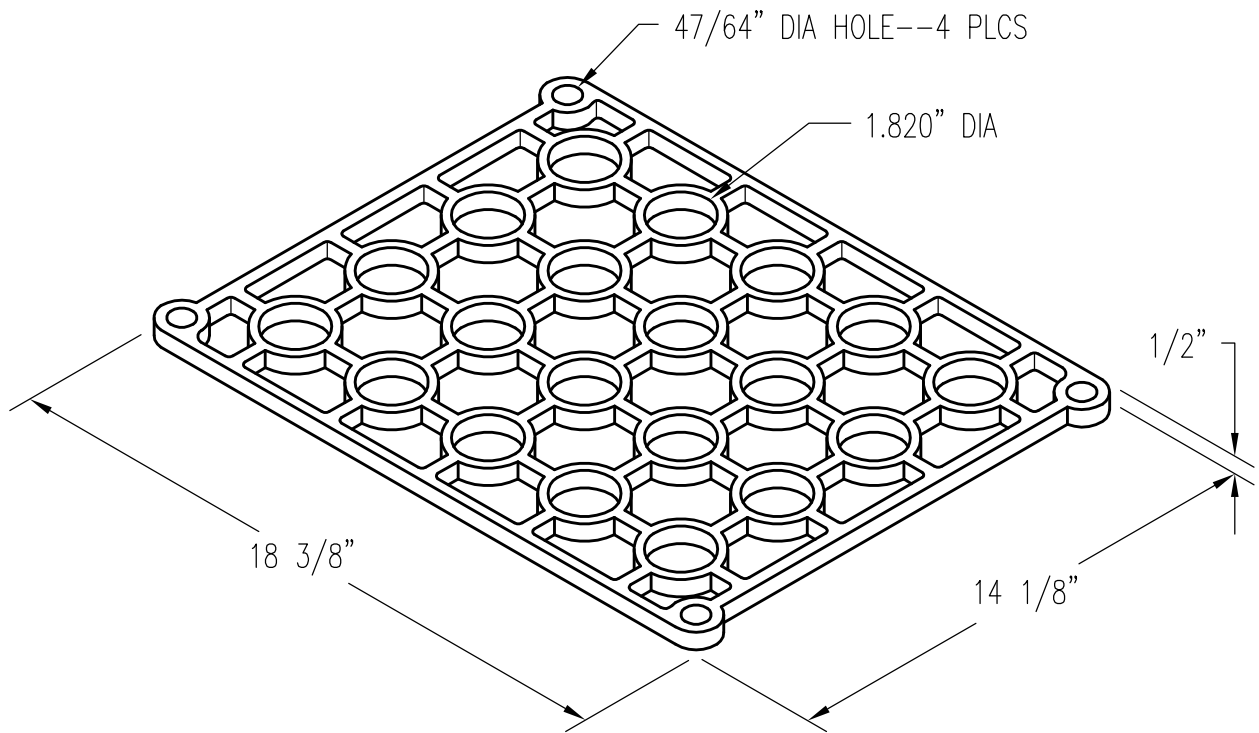


14 1/8" X 18 3/8" X 1/2" PINION SPACER GRID



PATTERN NUMBER: CC-2085
DRAWING NUMBER: CA-3635-D

D121

WEIGHT: 10 3/4#