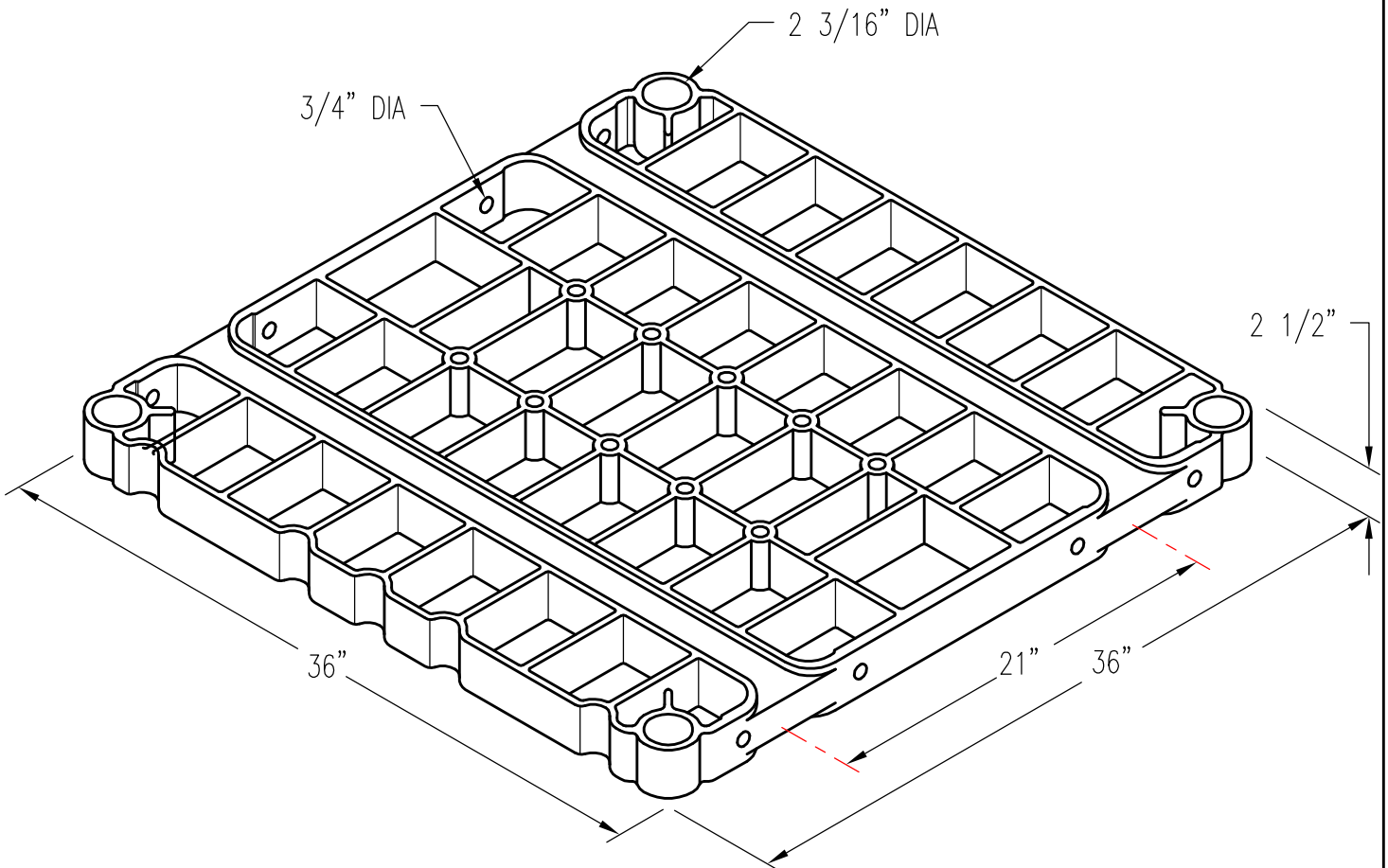


# 36" SQ. X 2 1/2" TRAY



PATTERN NUMBER: CC-2087  
DRAWING NUMBER: CA-3690-D

D123

WEIGHT: 169 3/8#