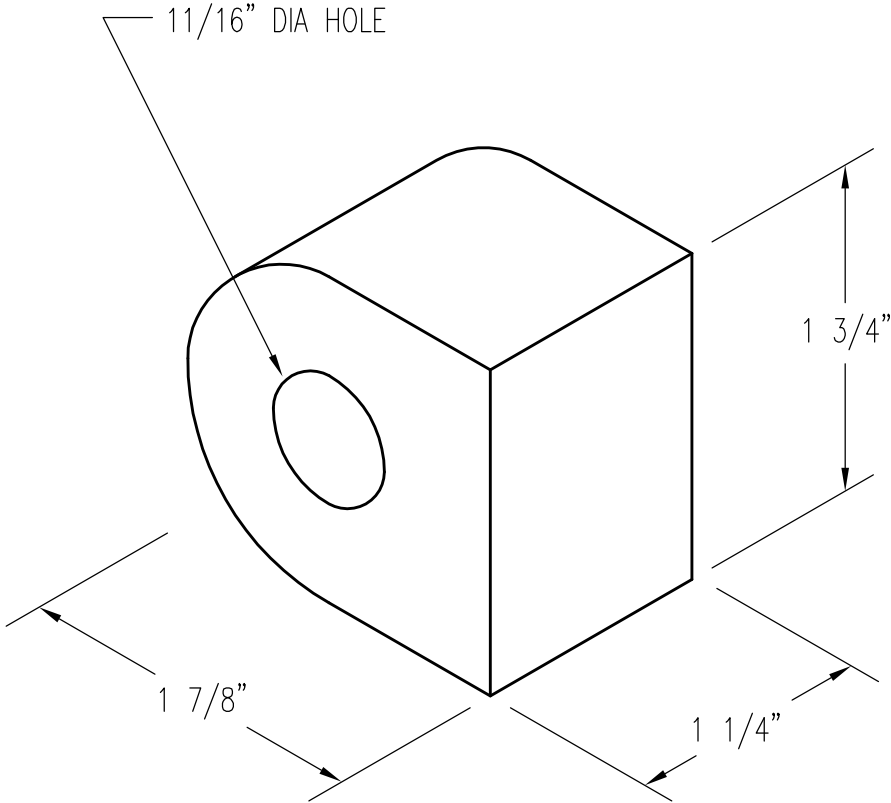


EAR FOR 3002 & 3003 RAILS



PATTERN NUMBER: CC-3003-A
DRAWING NUMBER: CA-3499-A

F037

WEIGHT: 0.9#