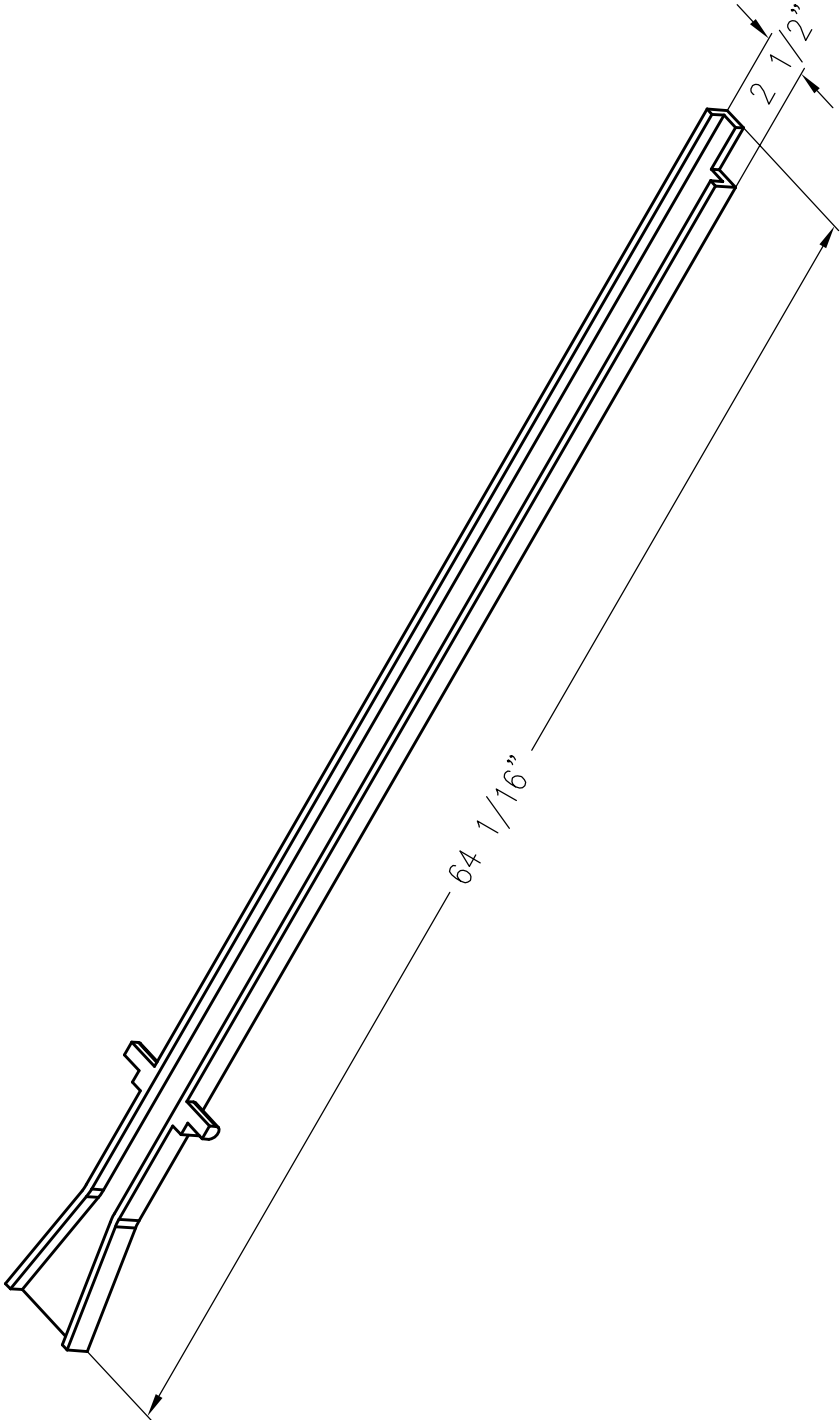


CHARGE RAIL



PATTERN NUMBER: CC-3013
DRAWING NUMBER: 13735

F008

WEIGHT: 33.125#