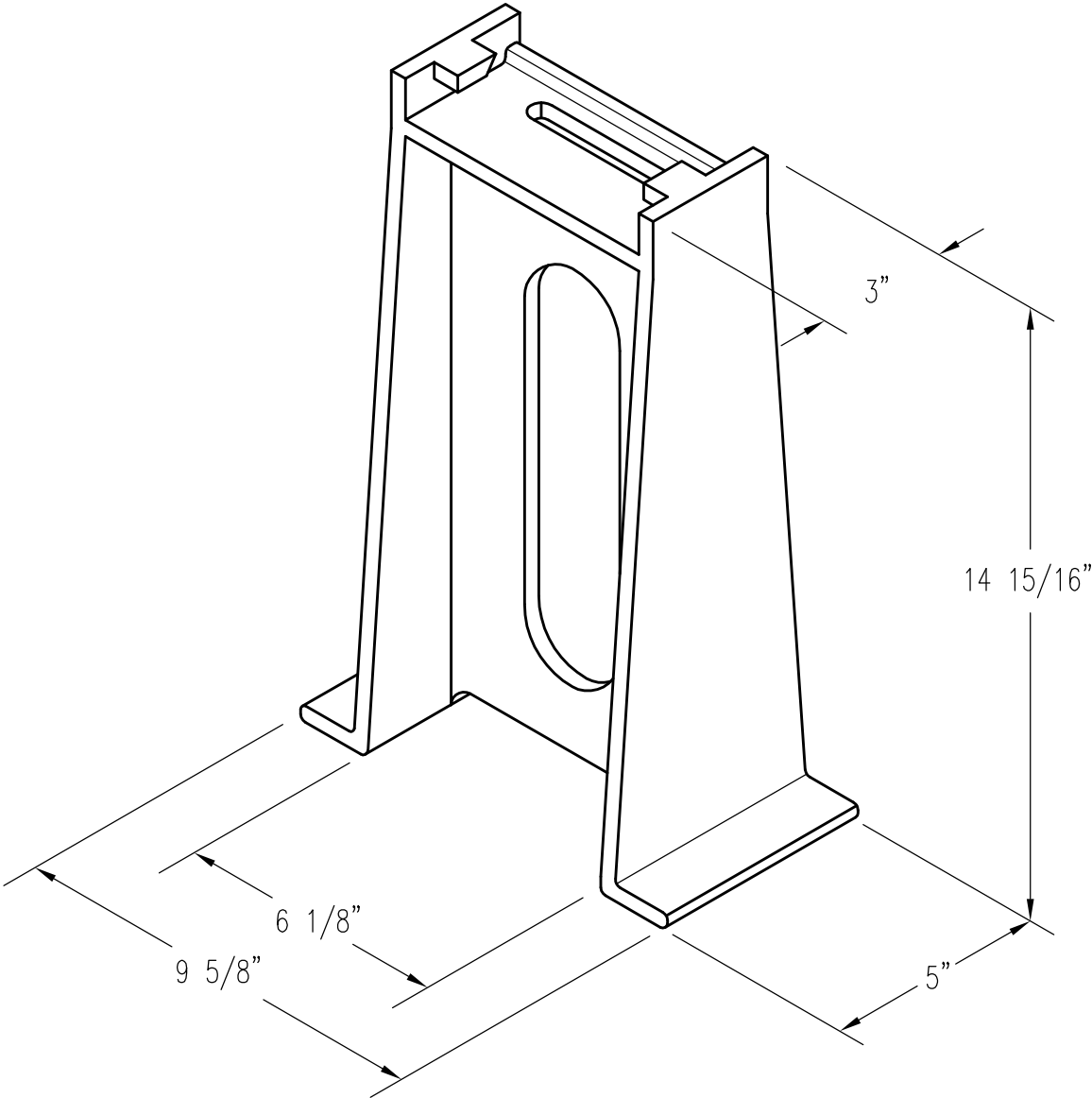


FURNACE PIER



PATTERN NUMBER: CC-3048
DRAWING NUMBER: 55-C-65

F058

WEIGHT: 19 1/2#